

Need Help?
 Technical Support: (+1) 613 • 652 • 4886
 techsupport@rossvideo.com

Rack Mounting

1 Rack Mount
 Unpack and use the supplied Rack Mount Kit to mount your BlackStorm Server in a 19" wide by 30" deep EIA equipment rack.
*The supplied Rack Mount Kit **MUST** be used to mount your BlackStorm Server in a 19" x 30" EIA equipment rack to avoid damaging the BlackStorm Server.*

2 Power
 Connect an **AC Power Cord** to each **AC Port** on the BlackStorm Server and then to Mains Power.
The BlackStorm Server power supplies are auto-sensing and can use either 110 VAC or 220 VAC. BlackStorm Servers are equipped with two power supplies in a redundant configuration. Only one power supply is required to run the BlackStorm Server.

Video Cabling

7 Video Output
 Use the supplied 1.0/2.3-to-BNC pigtail adapters to connect your **Video Output** cables to the BNC connectors.
 Channel 1 → SDI 1
 Channel 2 → SDI 2
 Channel 3 → SDI 3
 Channel 4 → SDI 4
The BlackStorm Server does not accept video inputs.

Peripheral Cabling

3 Keyboard and Mouse
3a Plug the supplied **Keyboard** into the left **USB** port on the back of the BlackStorm Server.
3b Plug the supplied **Mouse** into the right **USB** port on the back of the BlackStorm Server.
Note: KVM extenders (customer supplied) are required when the BlackStorm Server monitor, keyboard, and mouse are located remotely from the rack room.

4 Monitor
 Connect a **Monitor** (customer supplied) to the **VGA** port of the BlackStorm Server.
Note: KVM extenders (customer supplied) are required when the BlackStorm Server monitor, keyboard, and mouse are located remotely from the rack room.

Network & Reference Cabling

5 Local Area Network
 Plug an **Ethernet** cable from your Local Area Network into one of the **GigE Ethernet** ports on the back of the BlackStorm Server.
Note: The BlackStorm Server must be connected to the same network as the computers that you will install the BlackStorm Server Client software.

6 Reference
 Use the supplied 1.0/2.3-to-BNC pigtail adapters to connect your house reference GenLock signal to the **REF IN** BNC connector.
The BlackStorm Server accepts analog black burst or tri-level sync as reference inputs. This connection is required to lock the BlackStorm Server to the video timing of your facility. Tri-level sync is recommended for progressive and HD formats.

Linear Timecode & Remote Control

9 Breakout Cable
Connect the **Breakout** cable to the breakout port on the server.

10 Linear Timecode (LTC)

- Connect your LTC input cable for channel 1 to the **LTC 1 In** BNC on the **Breakout** cable.
- Connect your LTC input cable for channel 2 to the **LTC 2 In** BNC on the **Breakout** cable.
- Connect your channel 1 LTC output cable to the **LTC 1 Out** BNC on the **Breakout** cable.
- Connect your channel 2 LTC output cable to the **LTC 2 Out** BNC on the **Breakout** cable.

The BlackStorm Server accepts a 75 Ω unbalanced LTC signal for house timecode.

11 Remote Control
Connect RS-422 control cables to the connectors on the **Breakout** cable labelled **RS422 Channel 1** or **RS422 Channel 2**.

Pin Number	Signal
1	Ground
2	RxD-
3	TxD+
4	Ground
5	Not Connected
6	Ground
7	RxD+
8	TxD-
9	Ground

Breakout Cable DB9 Male Connector

12 Power Up
Press the **Power** button on the front of the BlackStorm Server.

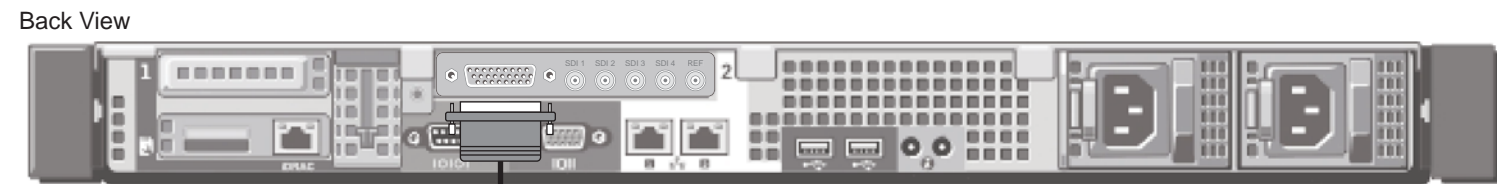
The BlackStorm Server startup process includes drive initialization, which takes a few minutes to complete.

Note: Ross Video recommends shutting down BlackStorm Servers from the Windows operating system.

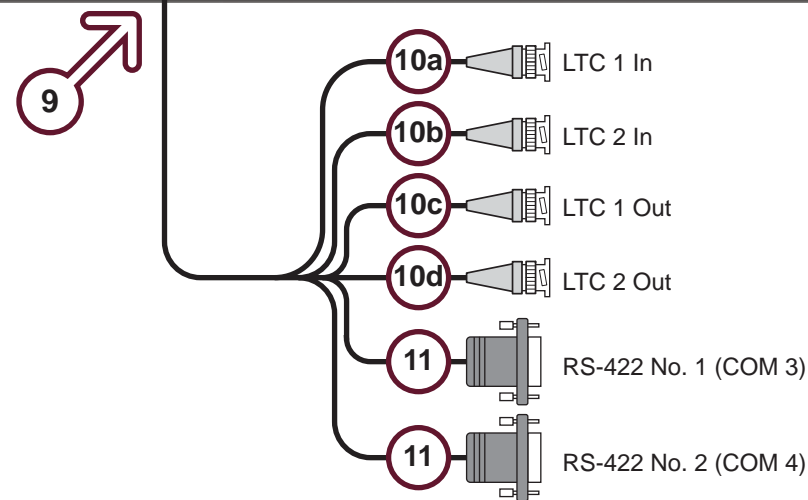
Startup



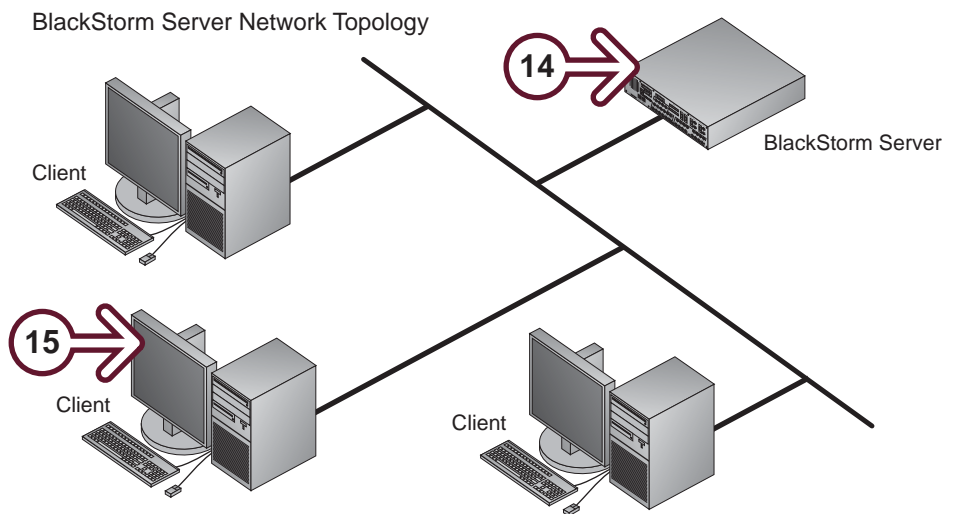
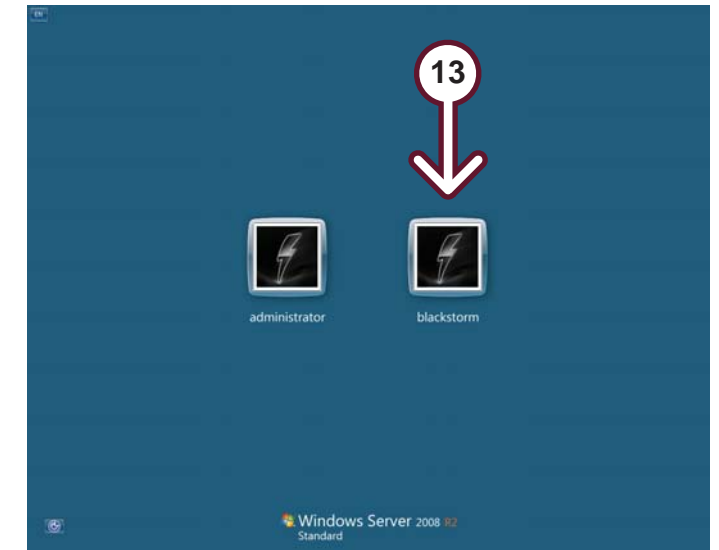
Front View



Back View



Windows Log On Screen



The DashBoard software is designed to run on remote client computers and connect to the BlackStorm Server through a Local Area Network.

13 Log On
Use the following account information to log on to the BlackStorm Server:

User name: blackstorm
Password: blackstorm

After you log on, the Video Server application automatically launches to enable clients to connect to the BlackStorm Server.

14 DashBoard
Ross Video DashBoard software is used to configure and control your BlackStorm Server. DashBoard is pre-installed on every BlackStorm Server. To start DashBoard, double-click the Dashboard icon on the BlackStorm Server desktop.

Software

15 Remote Computers
DashBoard can be installed on other computers (customer supplied) to remotely configure and access the BlackStorm Server. For more information, refer to the "Client Software Installation" chapter in the *BlackStorm User Guide* on the server desktop or the DVD ROM.

16 Server Configuration
Congratulations on cabling your BlackStorm Server.

The **Configuration Client** is used to configure the server for your environment. For more information, refer to the "Server Configuration" chapter in the *BlackStorm User Guide* on the server desktop or the DVD ROM.